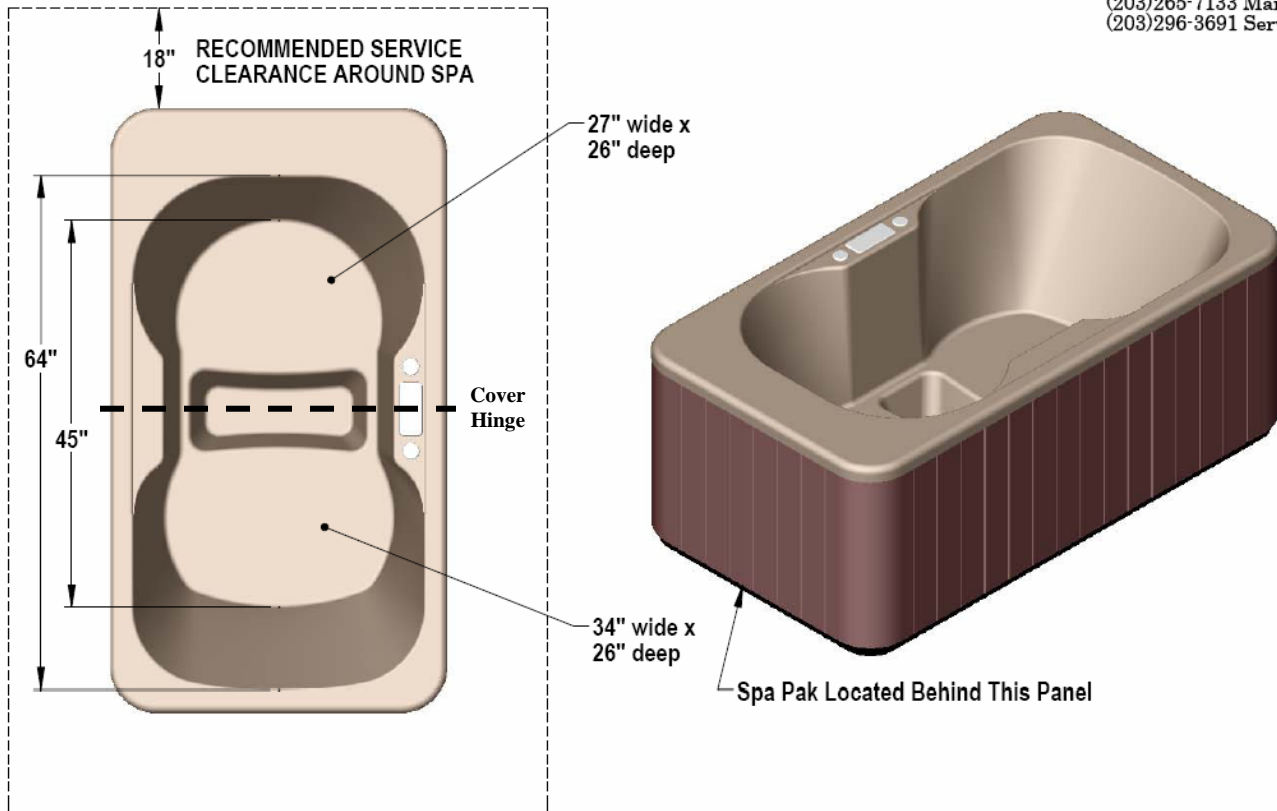


# GEMINI GENESIS

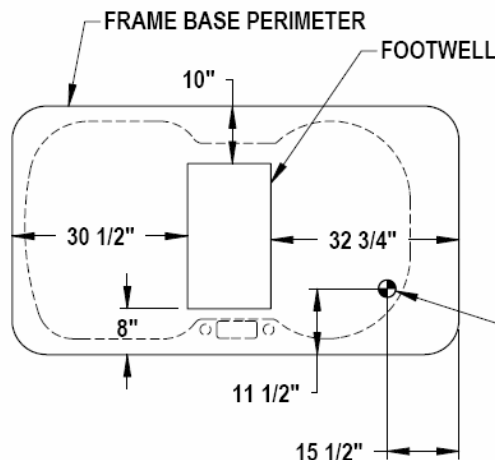
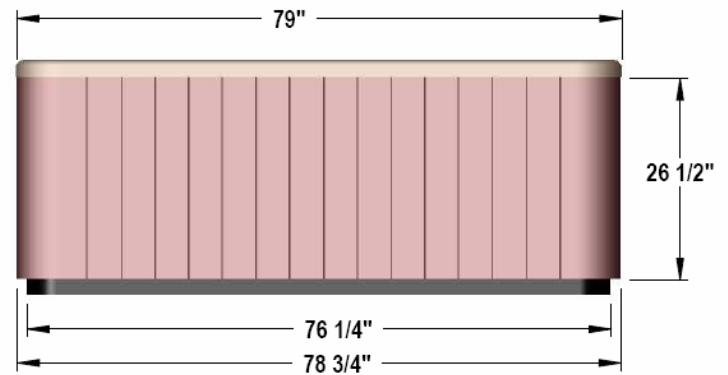
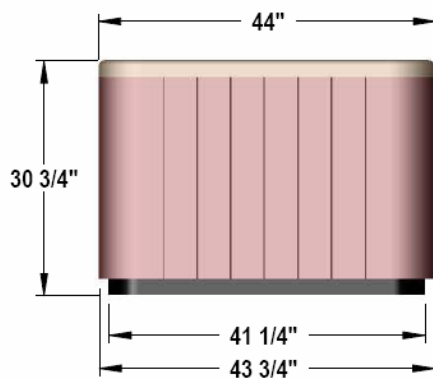
## ENGINEERING DRAWING

**ThermoSpas**

Hot Tubs · Chemicals · Service  
 155 EAST STREET · WALLINGFORD, CT · 06492  
 (203)265-6133 Main Voice  
 (203)265-7133 Main Fax  
 (203)296-3691 Service Fax



NOTE: Depth is measured vertically from top of spa coping to deepest part of seat.  
 Seat width is measured at hips.



Crated Dimensions	86L x 51W x 36H
Capacity (Gallons)	150 / 215 (usage level / full to brim)
Shipping Weight (lbs.)	520
Weight (Filled)	1,800

CERTIFIED TO UL 1563 - ETL REPORT #3044827-LST

RECOMMENDED ELECTRICAL SERVICE LOCATION  
 (Minimum 6' Service Cable recommended, not provided)

THE SPECIFICATIONS HEREIN ARE NOT EXPRESS WARRANTIES NOR REPRESENTATIONS WHICH SHOULD BE RELIED UPON BY THE PURCHASER. THE SAME ARE PRESENTED FOR PURPOSES OF DISCUSSION ONLY AND FINAL DIMENSIONS ARE NOT BASED UPON THE SAME.