

THERMOLIFT 300 INSTALLATION INSTRUCTIONS

Step 1 - Remove and cut away 1-5/8" from one end of the Vertical Trim Strips (one per cabinet side), to allow the Mounting Brackets to lay flush on the cabinet side. The Trim Strips can be reinstalled at any time following the Mounting Brackets installation.

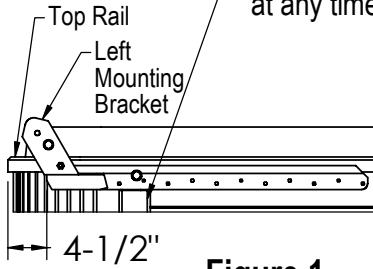


Figure 1

Installation of Mounting Brackets

Step 3 - Starting with the left side, slide the short end of the Support Arm into the Left Pivot Arm with the U-Shaped Retainer Clip facing down.

-Note: The Left Pivot Arm has two bushings and must be installed in the Left Mounting Bracket.

Step 2 - Attach the left and right side Mounting Brackets to the appropriate sides of the spa. The left side bracket has a padded pin for Wind Lock Bar support (see Fig. 6, Step 8). The brackets are mounted directly underneath the Top Rail. Position the lower left corner of the bracket 4-1/2" in from the rear edge of the Top Rail. Attach the brackets with the provided #10 x 1-1/2" screws. This procedure is the same for round or square spas. See Figure 1 at left.

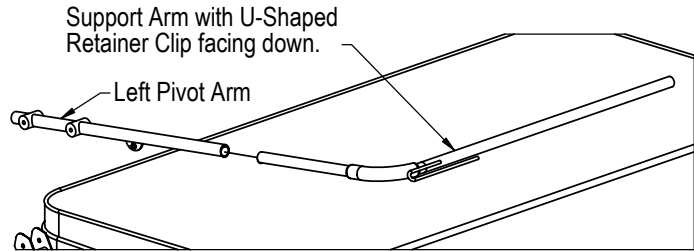
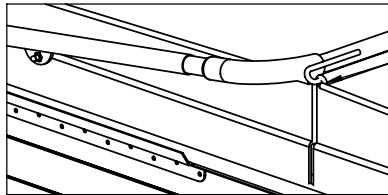


Figure 2 - Left Support Arm to Left Pivot Arm



Step 4 - Slide the U-Shaped Retainer Clip (facing down) into the channel that runs across the center of the cover.

Figure 3 - Retainer Clip in Cover Channel

Step 5 - Position the Pivot Arm so the rear bushing slides between the two upper rear holes on the Mounting Bracket. Install the provided hardware as shown in Figure 2 at right. Tighten the locknut just enough to allow the Pivot Arm to move freely.

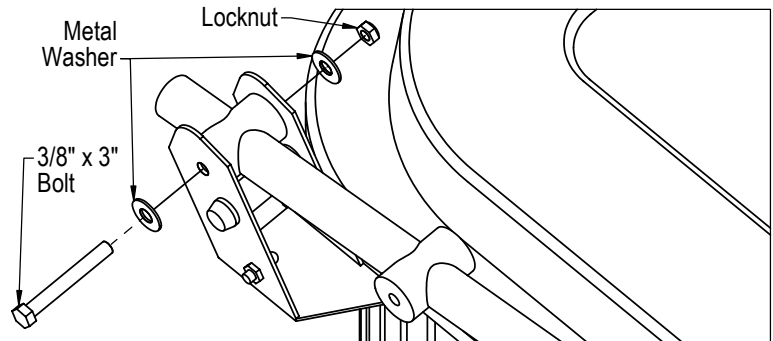
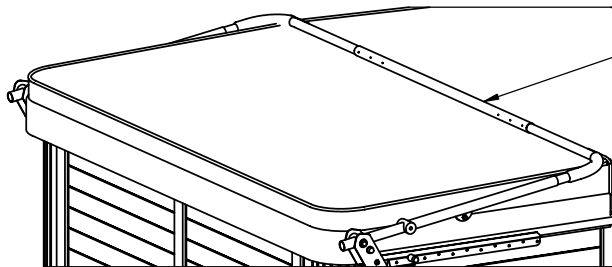


Figure 4 - Attaching Pivot Arms

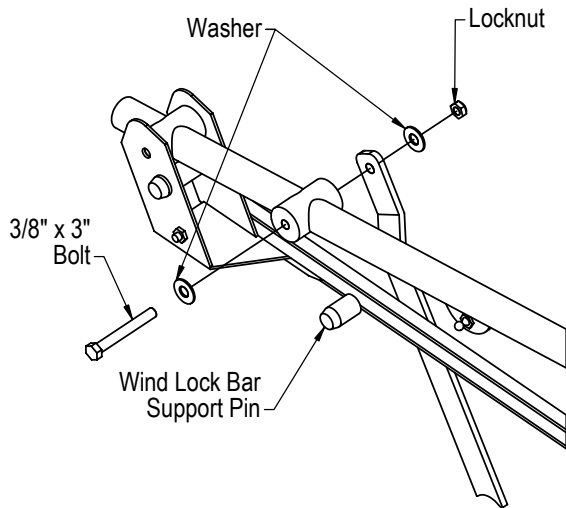


Step 6 - Slide the Coupler over the Left Support Arm. Then repeat Steps 3, 4, and 5 for the Right Support Arm and Pivot Arm. Center the Coupler over the two Support Arms with the screw holes facing the rear of the spa.

Figure 5 - Coupler centered on Support Arms

Step 7 - With Coupler piece centered on the width of the spa and screw holes facing the rear of the spa at an angle, use the #10 self-tapping screws (three on each side) to fasten the Coupler to the two Support Arms. Place a sturdy piece of cardboard under the work area while installing the screws to avoid damaging the cover. Now install the self-tapping screws on the left and right side Pivot Arms.

THERMOLIFT 300 INSTALLATION INSTRUCTIONS



Step 8 - Using the remaining bolt, washers, and locknut, attach the Wind Lock Bar to the inside of the left Pivot Arm's upper bushing as shown in Figure 6 at left. Tighten the nut just enough so the Lock Bar moves freely.

**Figure 6 - Attaching Wind Lock Bar
(spa removed for clarity)**

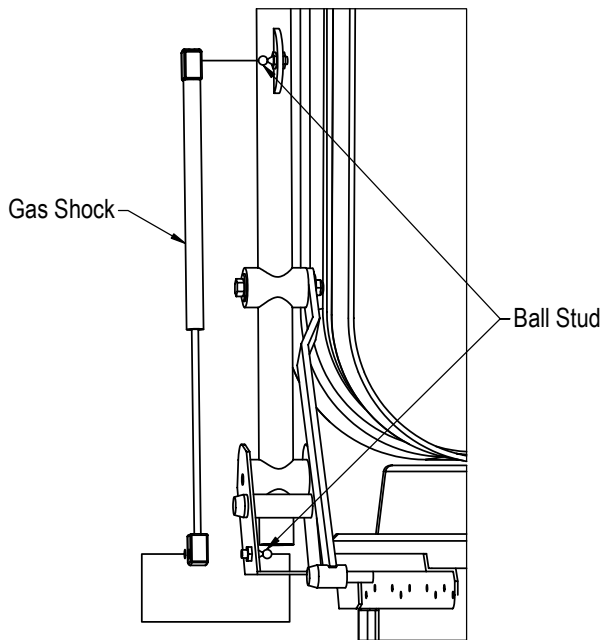


Figure 7 - Install Gas Shocks

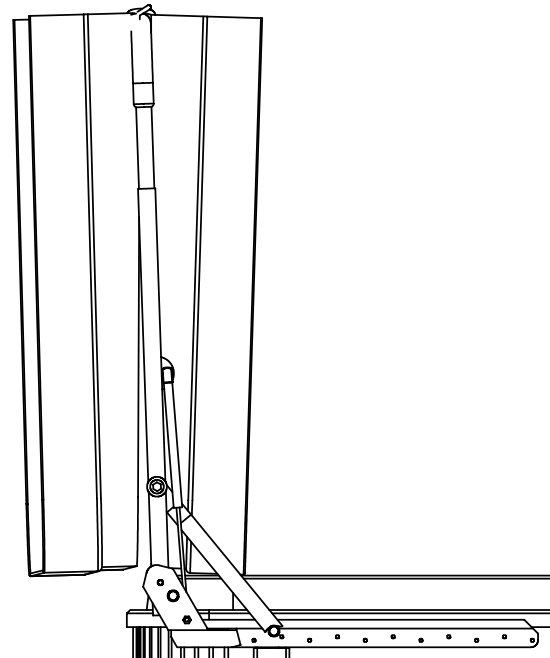


Figure 8 - Gas Shocks Installed

Step 9 - Fold the cover over the Coupler/Support Arms and raise the cover to vertical. Install the Gas Shocks as shown in Figure 7 above by snapping the recessed ends over the ball studs.

NOTE: Be sure to install the Gas Shocks with the Black Body on top as shown in above illustrations.

Step 10 - Adjust the black hand grips around corners, if needed. Snap all screw head covers on. Installation is complete.