

INSTALLATION OF METAL BRACKET FOR TL200 COVER LIFTER BRACKET ON GENESIS FRAME

REVISIONS				
ZONE	REV.	DESCRIPTION	DATE	APPROVED
	A	INITIAL RELEASE	1/23/04	

STEP 1
Remove the Cabinet Panel by removing the 8 phillips head screws. See FIGURE 1.

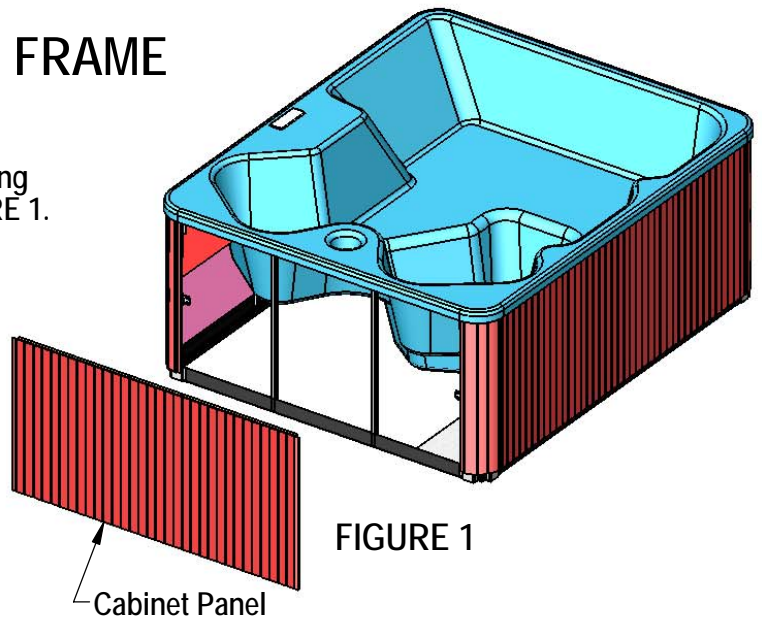


FIGURE 1

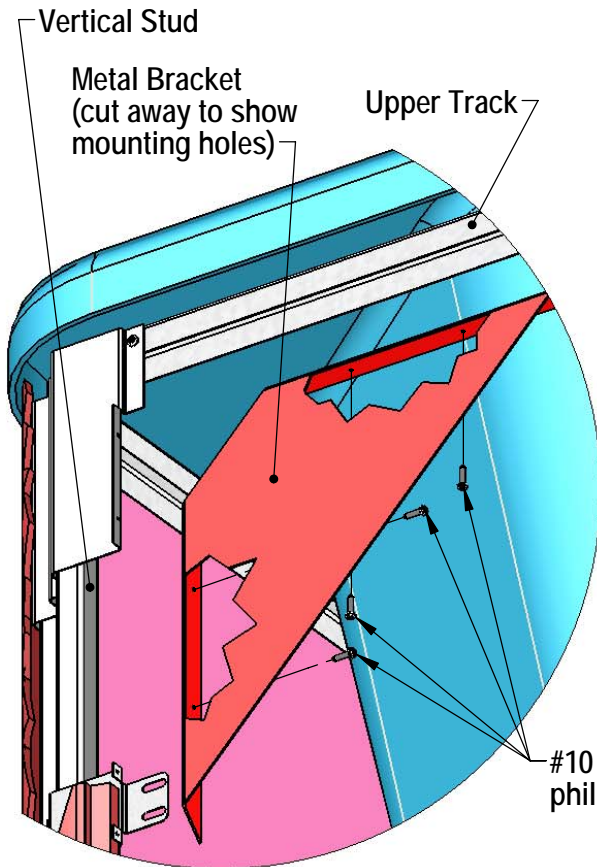


FIGURE 2

STEP 2
The METAL BRACKET is mounted on the top between the Upper Track and on the side against the Vertical Stud using 4 #10 x 3/4" self-tapping phillips head screws. See FIGURE 2 at left. FIGURE 3 (below) shows the METAL BRACKET installed.

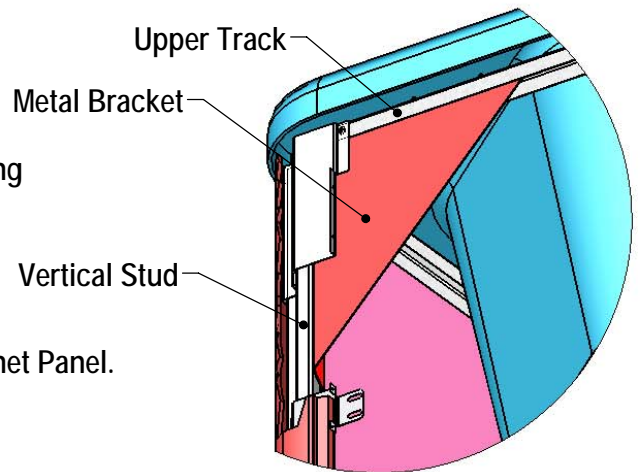


FIGURE 3

STEP 3
Reinstall the Cabinet Panel.

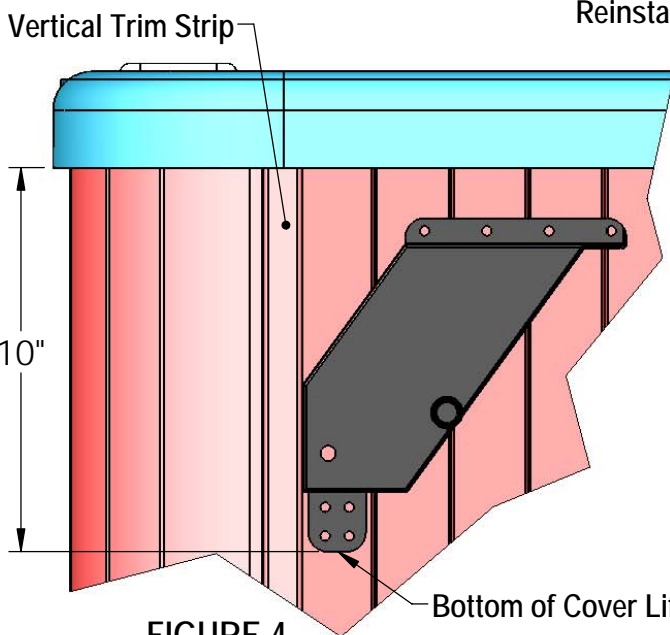


FIGURE 4

STEP 4
Measure ten inches down from the bottom of the coping and make a pencil mark indicating the location of the bottom of the Cover Lifter Bracket. The left-most edge of the bracket will be flush with the right edge of the Vertical Trim Strip. See Figure 4. Refer to "THERMOLIFT 200 ASSEMBLY INSTRUCTIONS" to complete the installation.

ThermoSpas Hot Tubs • Chemicals • Service 155 EAST STREET • WALLINGFORD, CT • 06492				
INSTALLATION INSTRUCTIONS, METAL BRACKET FOR TL200 COVER LIFTER BRACKET				
SIZE A	DRAWN BY GMK	DATE 10/17/06	SHEET 1 OF 1	REV.