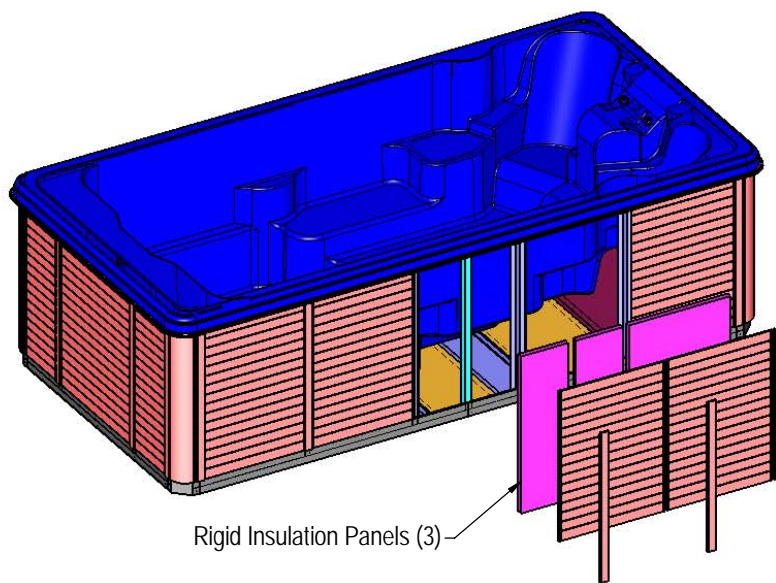


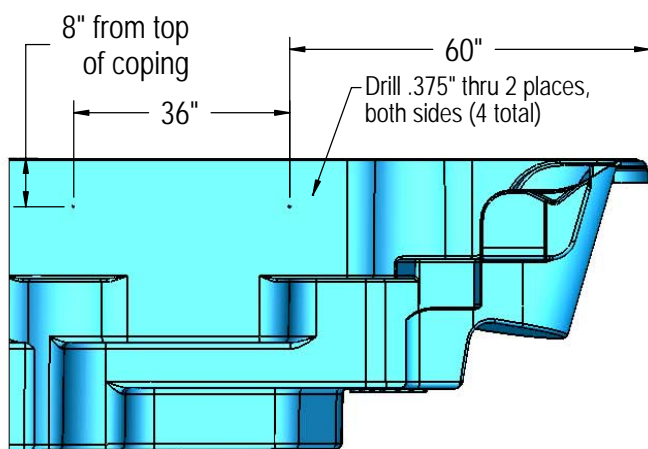
ROWING MACHINE INSTALLATION

REVISIONS			
REV.	DESCRIPTION	DATE	APPROVED
A	INITIAL RELEASE	6/19/06	



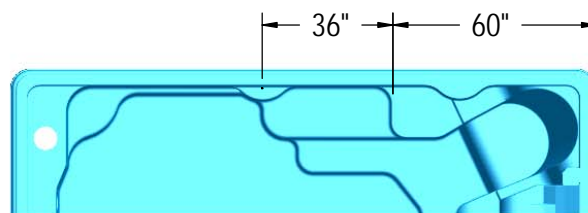
STEP 1

Remove the 3 Vertical Trim Strips, 2 Cabinet Panels, and 3 Rigid Insulation Panels to provide access. Repeat on opposite side of the spa.



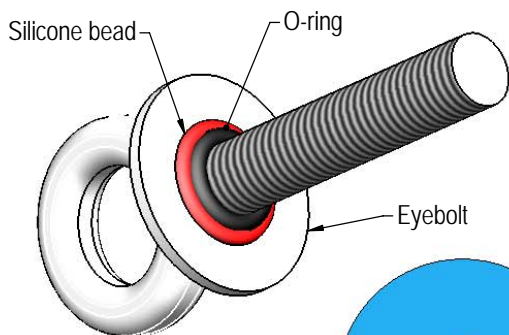
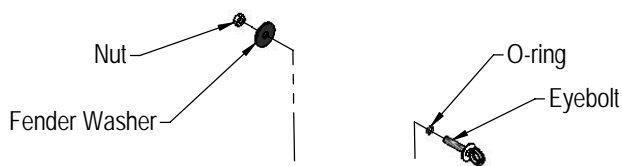
STEP 2

Drill .375" thru holes (2 per side / 4 total) in the locations indicated at left and below.

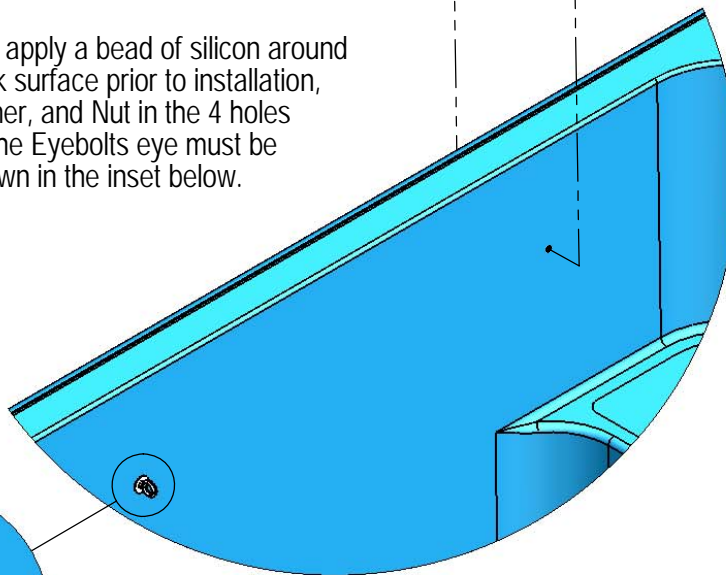
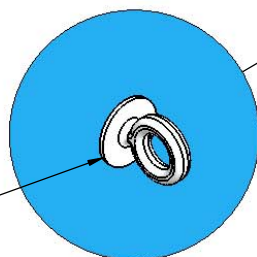


STEP 3

Install the O-rings over the Eyebolts shafts and apply a bead of silicon around each of the Eyebolt's shafts on the Eyebolt back surface prior to installation, as shown below. Next, install the Eyebolt, Washer, and Nut in the 4 holes drilled in the previous step, as shown at right. The Eyebolts eye must be oriented in the vertical (upright) position, as shown in the inset below.



Eyebolt in Vertical (upright) position.



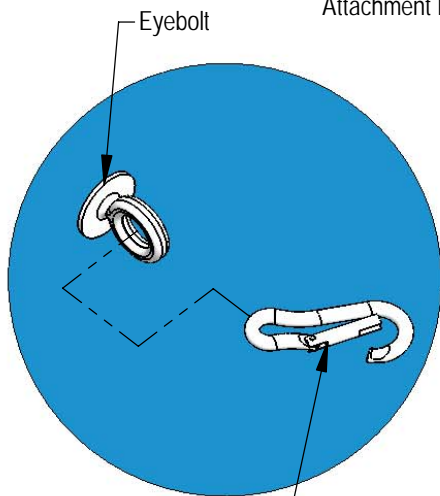
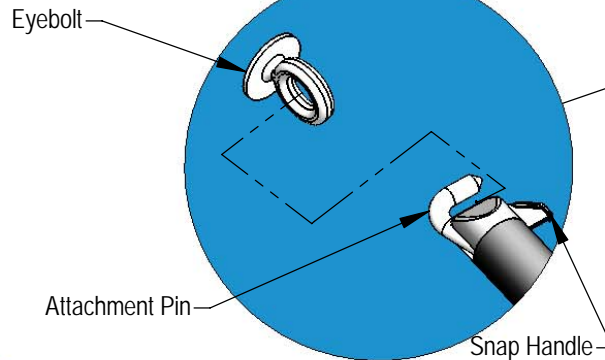
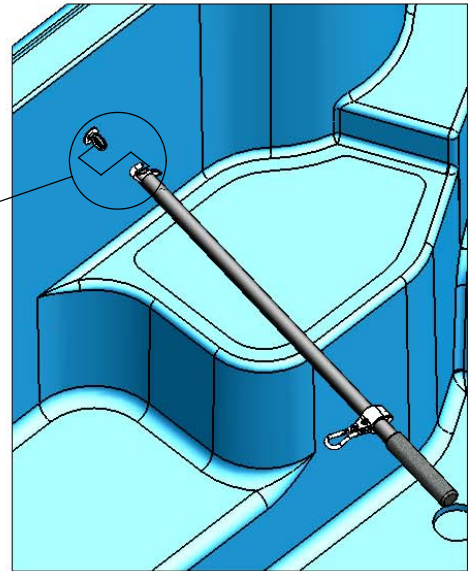
ROWING MACHINE INSTALLATION

(cont'd)

REVISIONS			
REV.	DESCRIPTION	DATE	APPROVED
A	INITIAL RELEASE	6/19/06	

STEP 4

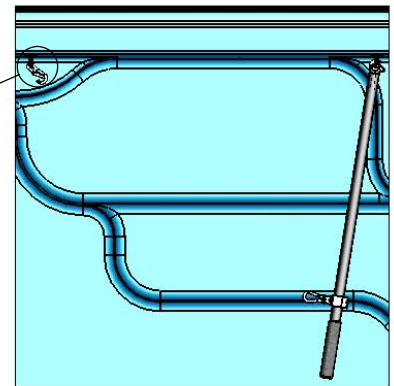
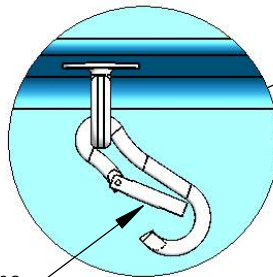
Attach the Oars to the Eyebolts closest to the Therapy Seat end of the spa by depressing the spring-loaded Snap Handles, inserting the Attachment Pins, and releasing the Snap Handles.



STEP 5

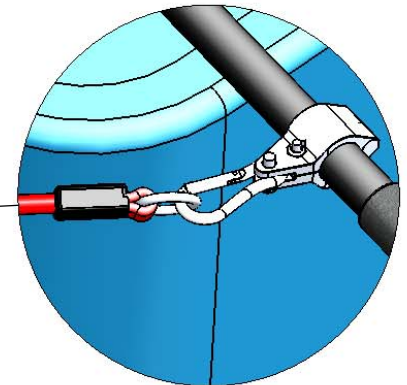
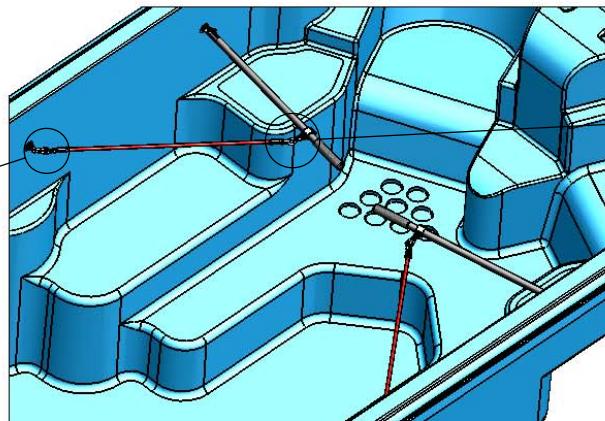
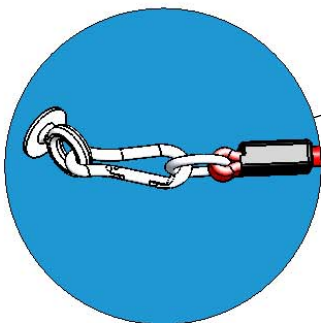
Attach the 2 Carabiners (Without Eyes) to the forward two Eyebolts. Make sure the Carabiner's Spring-loaded Arm faces away from the exercise area.

Spring-loaded Arm facing toward SwimJets and away from exercise area



STEP 6

Attach the desired resistance tubes to the Carabiners on both the Oar and on the forward Eyebolt by slipping the Metal O-rings through the Spring-loaded Arms in the Carabiners as shown below and in insets. The Rowing Machine is now ready for use



ThermoSpas Hot Tubs • Chemicals • Service
135 EAST STREET • WALLINGFORD, CT • 06492

ROWING MACHINE
INSTALLATION INSTRUCTIONS

SIZE A	DRAWN BY GMK	DATE 6/19/06	SHEET 2 OF 2	REV. A
------------------	-----------------	-----------------	--------------	------------------