

COVER SHELF INSTALLATION INSTRUCTIONS

Step 1 - Remove the 3 Vertical Trim Strips, 2 Cabinet Panels and 2 Insulation Panels on the side that the Cover Shelf is to be mounted, as determined by customer. See Figure 1 at left.

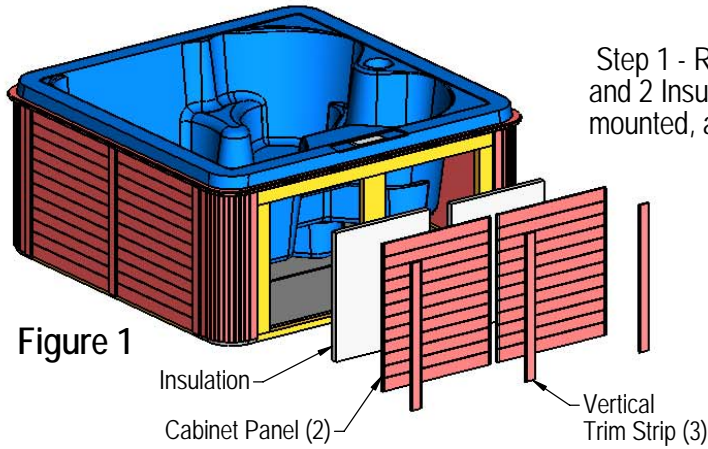


Figure 1

Step 2 - Cut two 2 x 6's to the same length as the existing 2 x 6 at center of frame wall. Butt the two cut 2 x 6's to the existing 2 x 4's at the outside of the frame wall. Toe screw to secure. See Figure 2 at right.

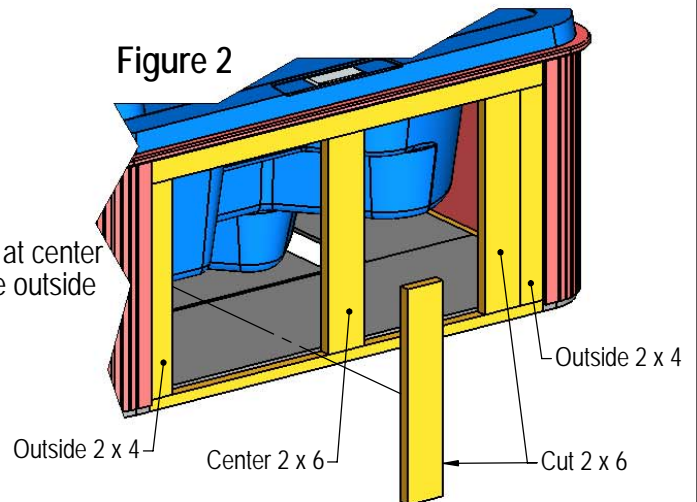


Figure 2

Step 3 - With the two new 2 x 6's installed, one vertical side of each insulation panel (removed in step 1) needs to be cut prior to being replaced between the existing center 2 x 6 and the two new outside 2 x 6's. See Figure 3 at left.

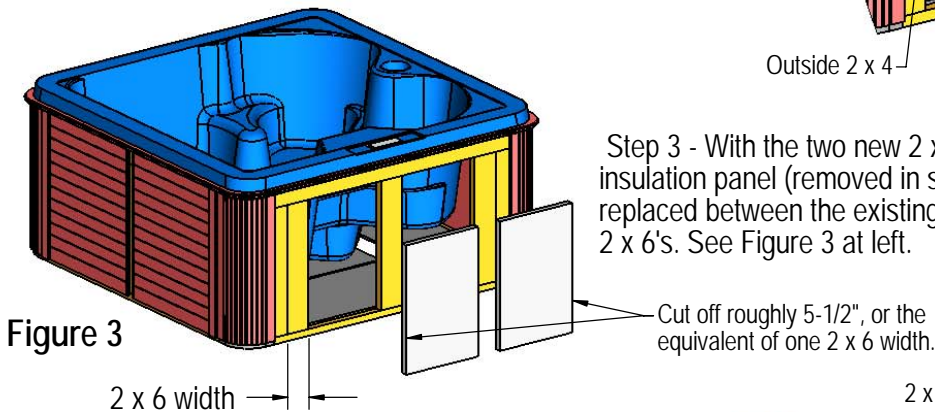


Figure 3

Step 4 - Using a pencil, mark the location of the newly installed 2 x 6's on the underside of the Top Rail. This will insure that the two Cover Shelf Mounting Brackets will be centered on the supporting 2 x 6's that will no longer be visible after reinstalling the cabinet panels. Repeat on the second 2 x 6 and then reinstall the two cabinet panels and three vertical trim strips. See Figure 4 at right.

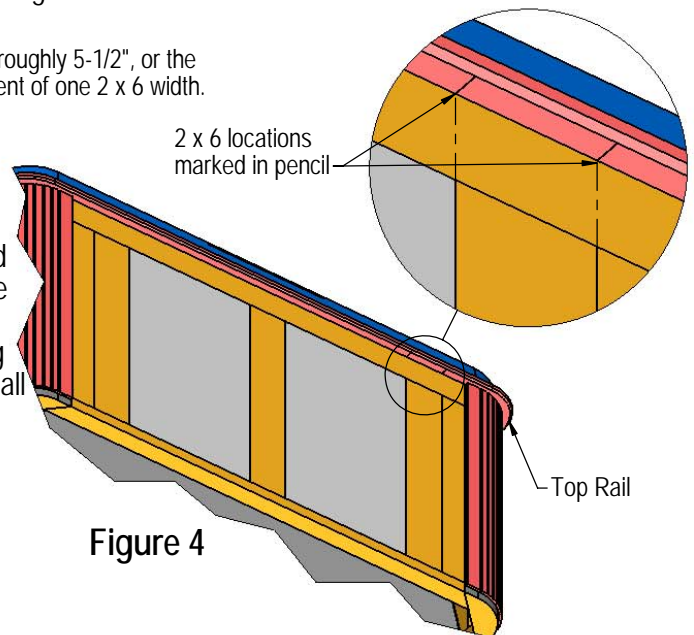


Figure 4

Step 5 - Install the Support Brackets by centering the Bracket between the pencil marks made in step 4, and measuring 7-1/2" down from the underside of the Top Rail. Mark the eight mounting holes and pre-drill to prevent cracking the cabinet panels. Attach the bracket with the eight #10 x 2" screws provided. Repeat on the other side. See Figure 5 at left.

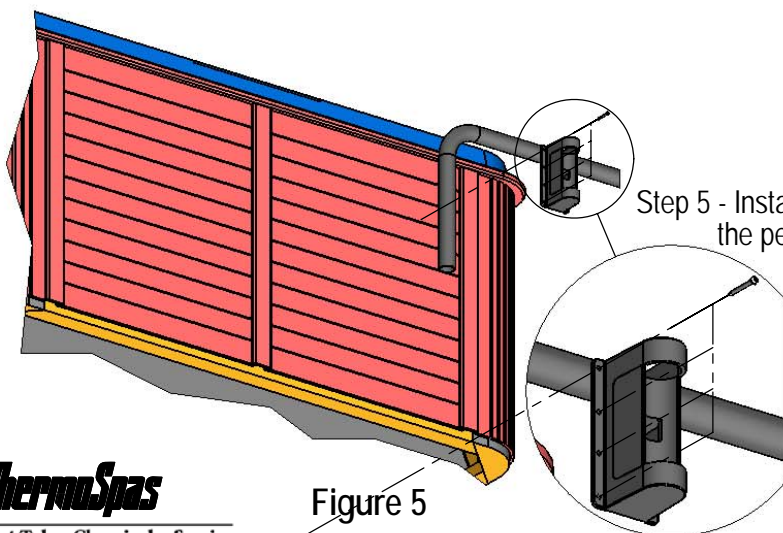
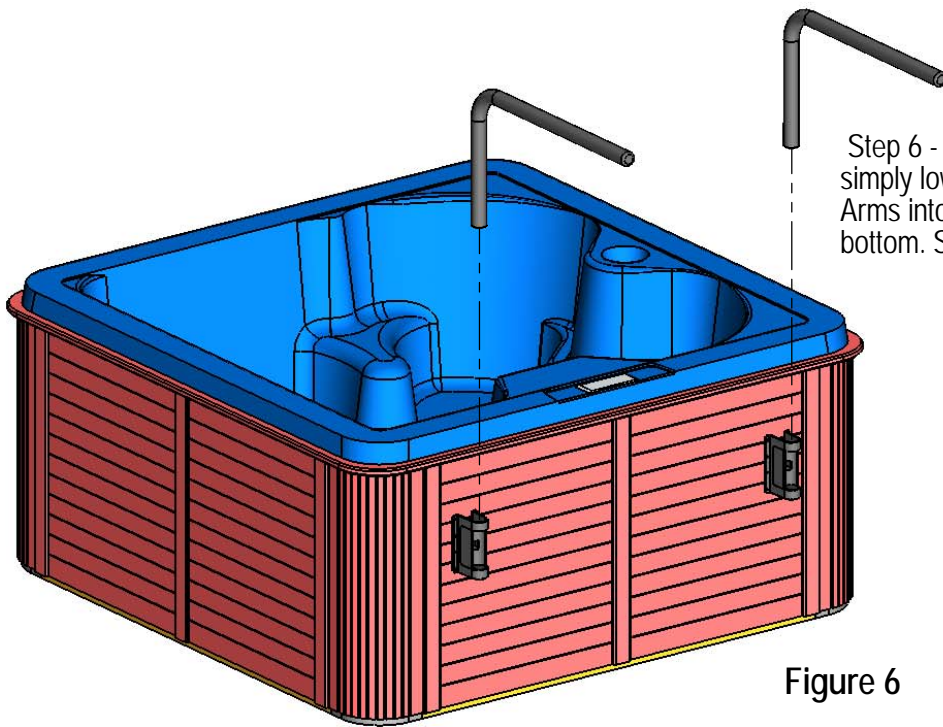


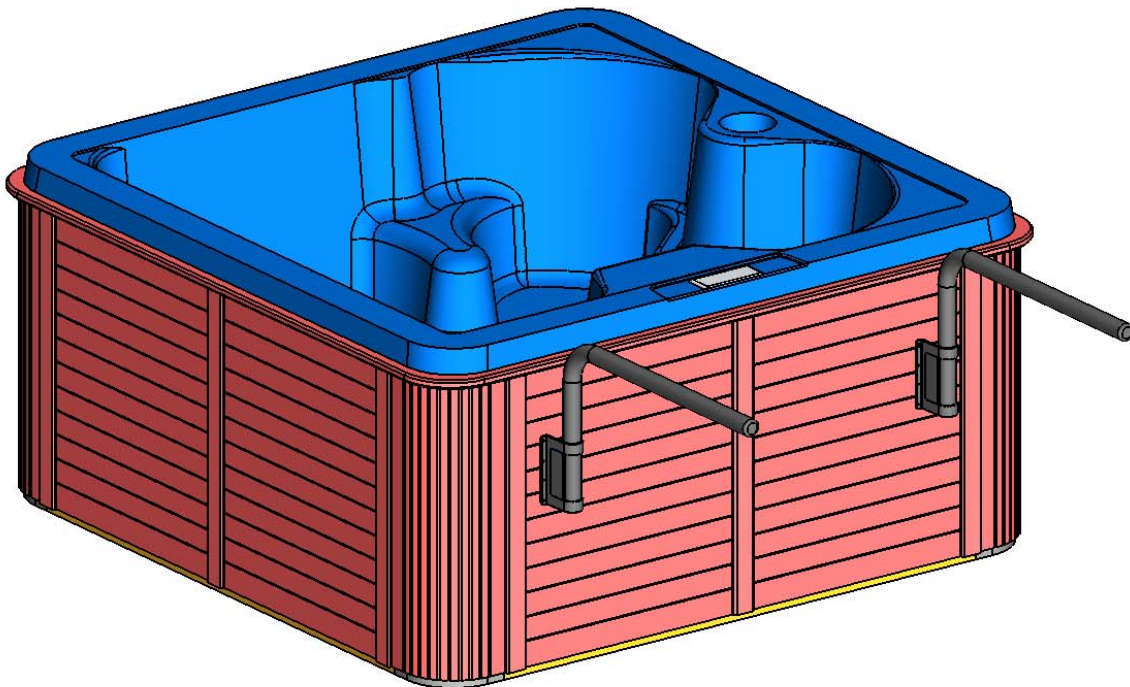
Figure 5

COVER SHELF INSTALLATION INSTRUCTIONS



Step 6 - With the two Support Brackets installed, simply lower the shorter leg of the the two Support Arms into the Support Brackets until they reach bottom. See Figure 6 at left.

Figure 6



Your Cover Shelf is now ready for use. The above illustration shows the Support Arms swung out, perpendicular to the spa and in position to support your spa cover. When not in use, swing the two Support Arms in and out of the way.